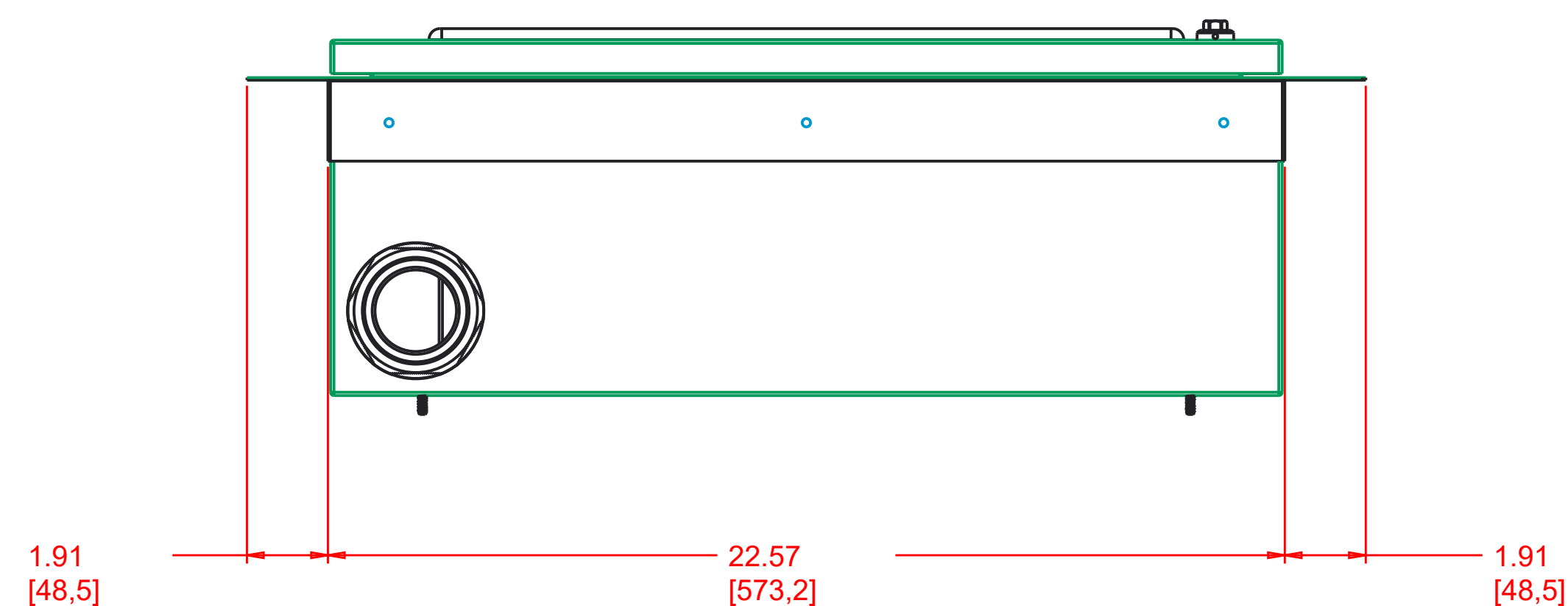
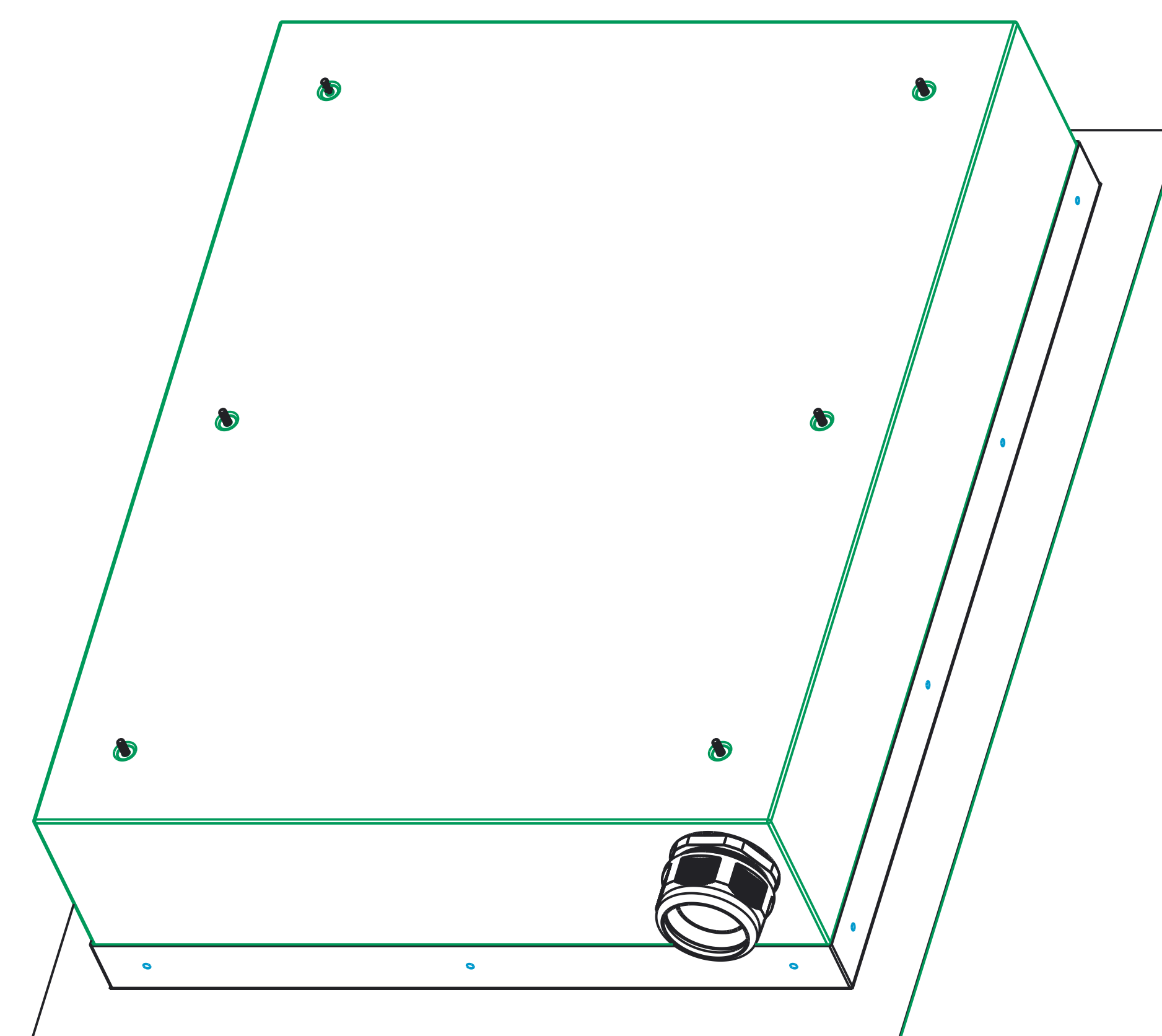
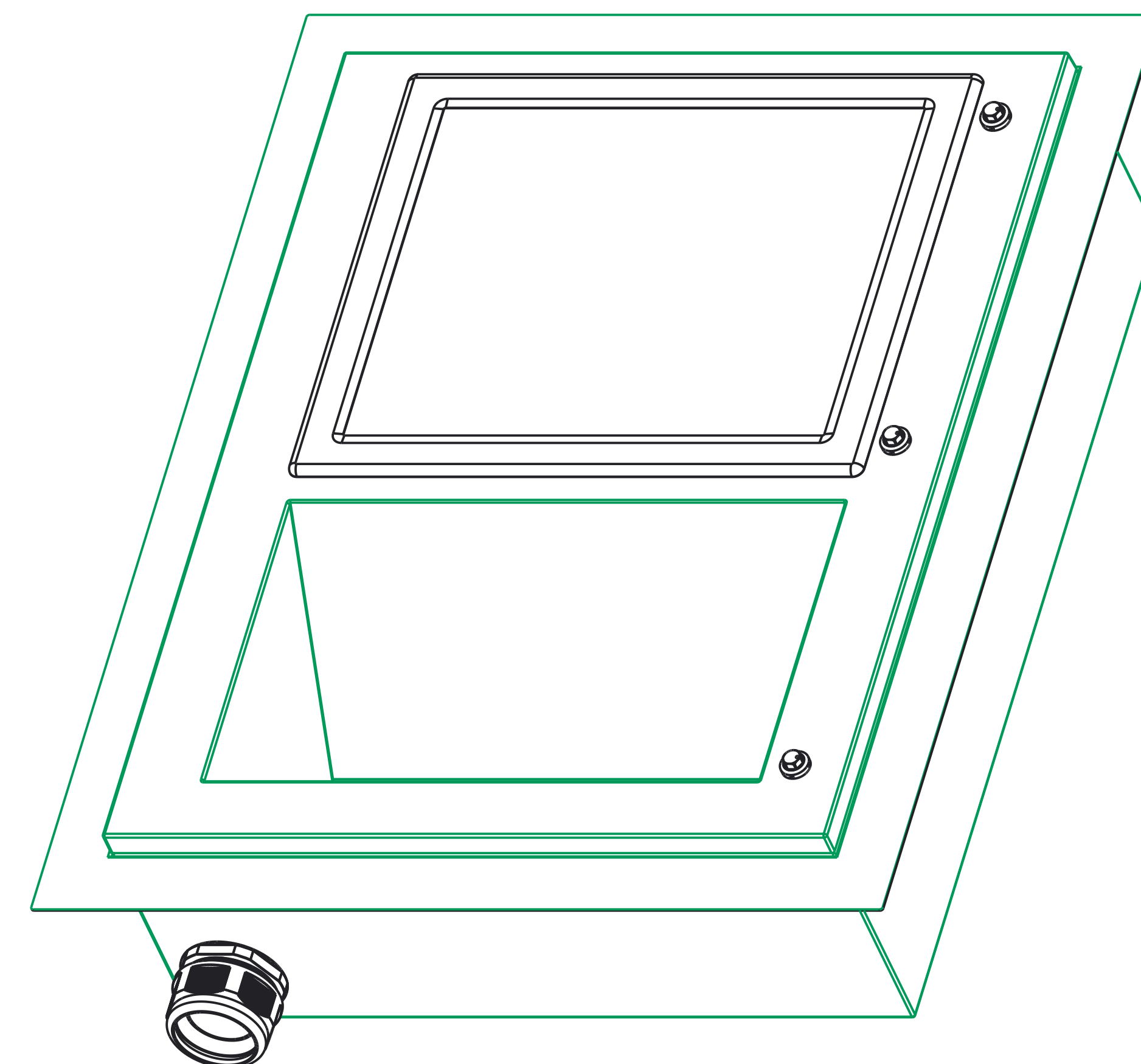
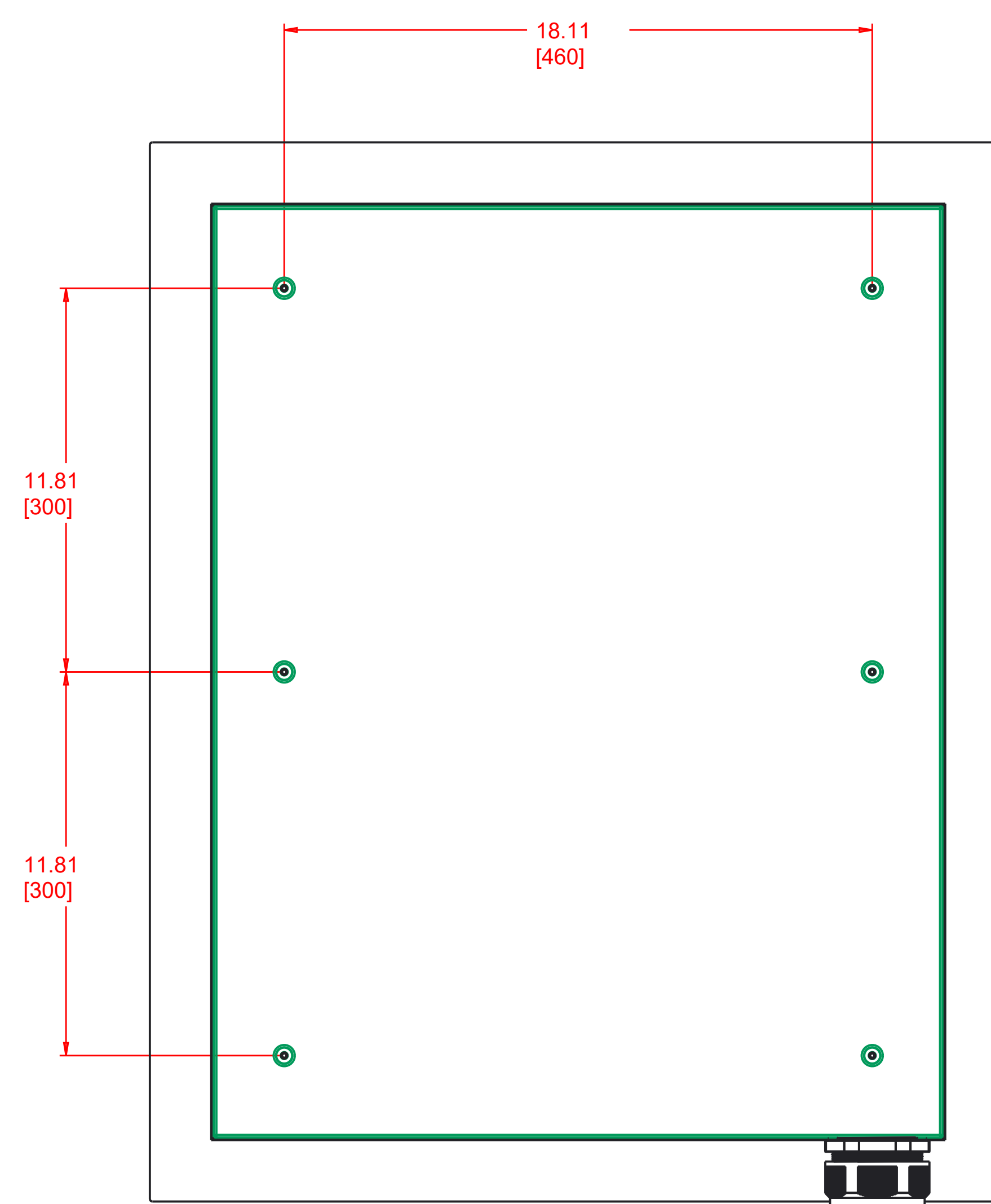
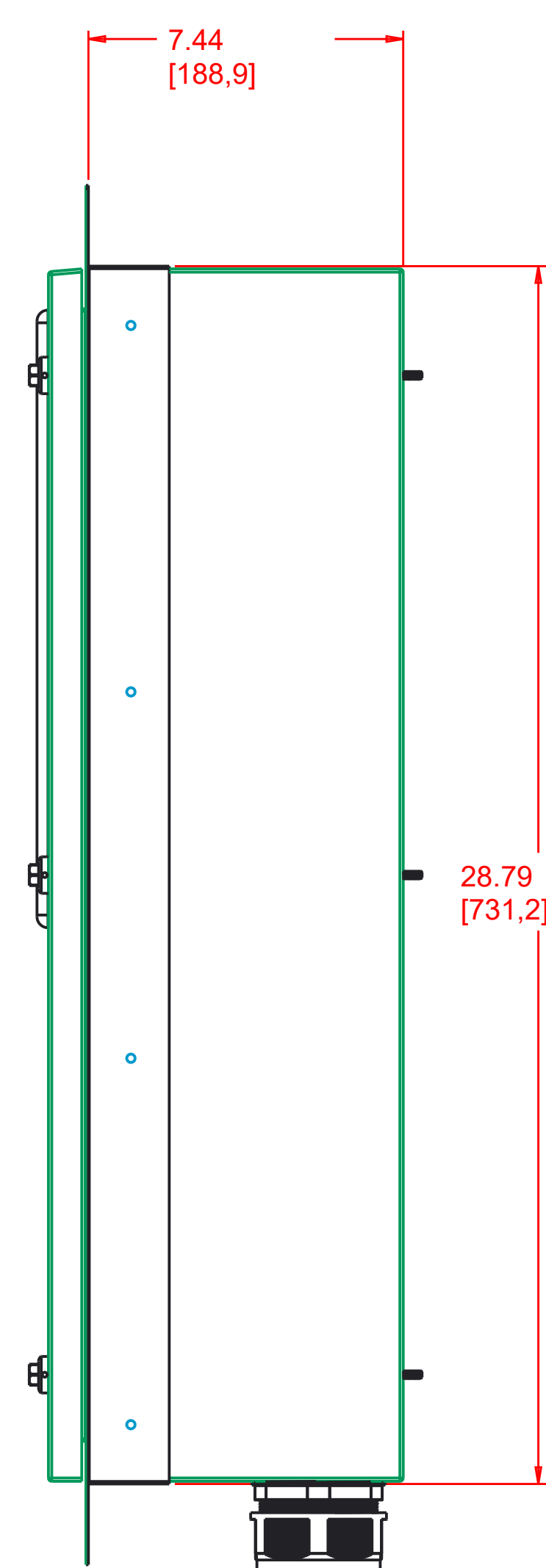
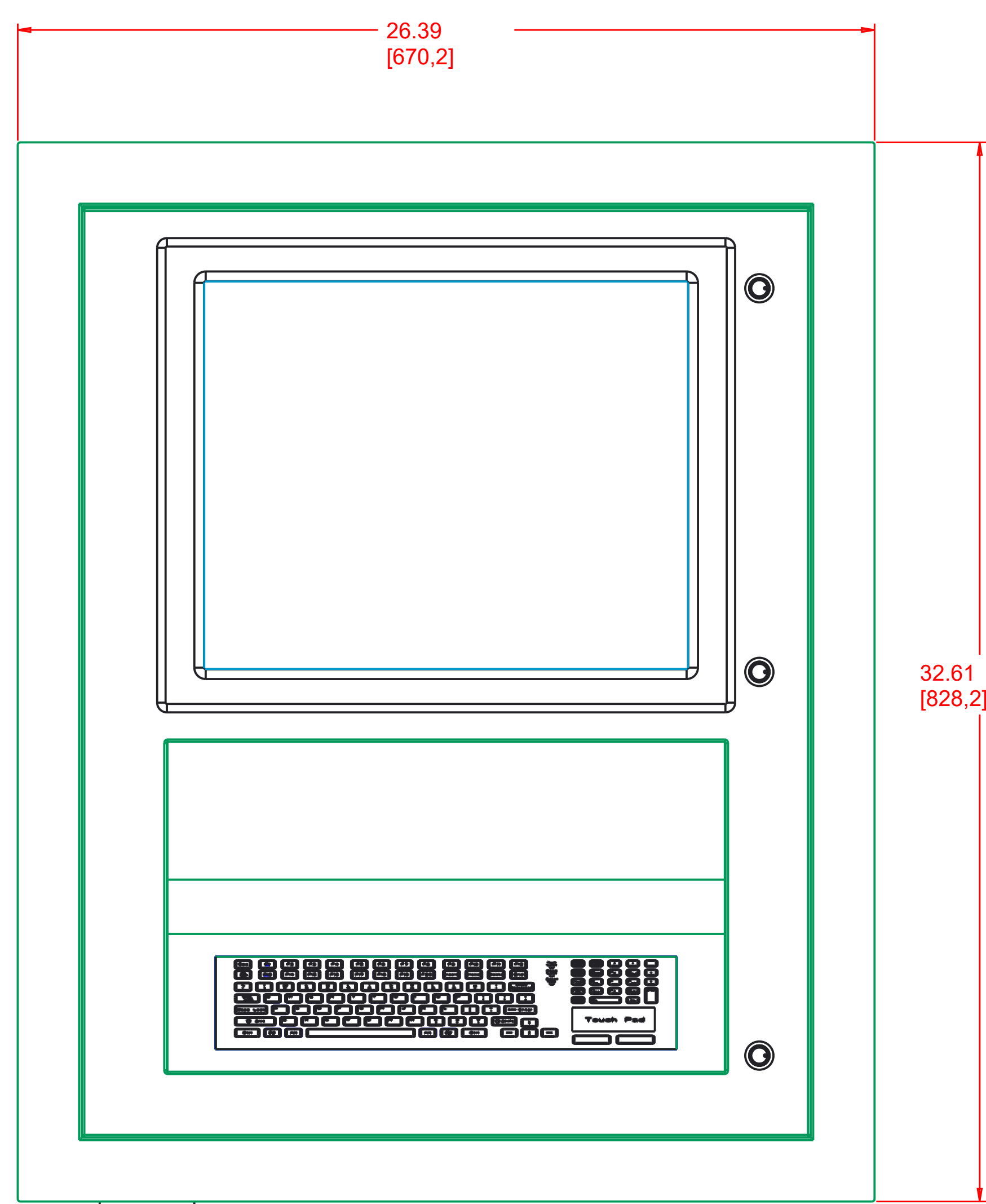
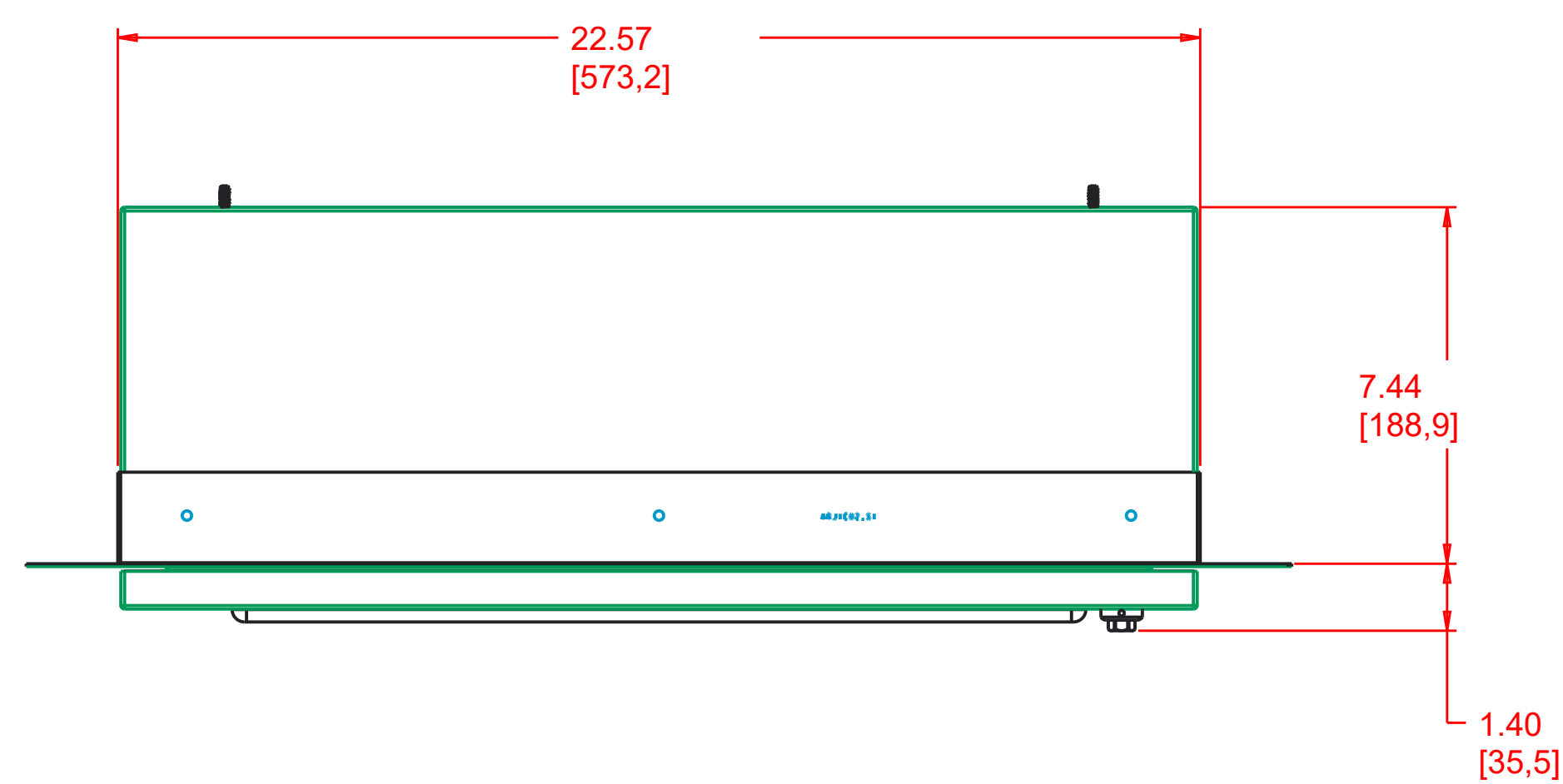


PARTS LIST			
ITEM	QTY	DESCRIPTION	PN



UNITS: inch/mm

ZONE	REV	DESCRIPTION	DATE	APPROVED
REVISIONS				

The information disclosed on this document is the exclusive property of ARISTA CORPORATION. Reproduction, disclosure, or the use of this document or information without the written permission of ARISTA CORPORATION is prohibited.		<b>ARISTA CORPORATION</b> 41300 Bayview Rd, Fremont, CA 94538	<b>AMA-7019AX ASSEMBLY</b>
TOLERANCES 0-30mm ±0.1 31-120mm ±0.15 121-250mm ±0.2 >250mm ±0.3	A ±0.1 B ±0.25 C ±0.6	DATE 08/21/18	TITLE ARISTA CORPORATION 41300 Bayview Rd, Fremont, CA 94538
DRN YoyoSu	CHECKED E	DATE 08/21/18	REV E
DESIGN	SCALE 0.300	RVT. NO.	SHEET OF